**NX7-TV-XL**

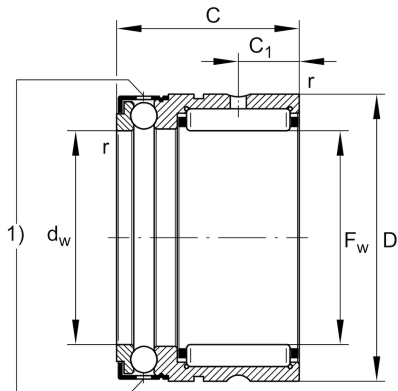
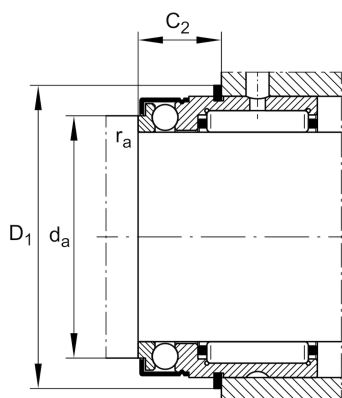
Needle roller/axial ball bearing

Schaeffler ID:
0507785440000Needle roller/axial ball bearings NX,
single direction axial component, for oil
lubrication

X-life

Technical information

2)

**Main Dimensions & Performance Data**

F_w	7 mm	Bore diameter
D	14 mm	Outside diameter
C	18 mm	Height
C_r	3,250 N	Basic dynamic load rating, radial
C_{0r}	2,650 N	Basic static load rating, radial
C_a	3,150 N	Basic dynamic load rating, axial
C_{0a}	4,300 N	Basic static load rating, axial
C_{ur}	420 N	Fatigue load limit, radial
C_{ua}	195 N	Fatigue load limit, axial
n_G	15,000 1/min	Limiting speed
	0.012 kg	Weight

Dimensions

	WR14, SW14	Snap ring
C_1	4.7 mm	Distance to lubrication hole
C_2	4.7 mm	Distance to lubrication hole
d_w	7 mm	Bore diameter of shaft washer
r_{min}	0.3 mm	Minimum chamfer dimension

Mounting dimensions

d_a	9.6 mm	Mounting dimension shaft shoulder
$r_{a max}$	0.3 mm	Maximum recess radius
D_1	16.5 mm	Connection diameter snap ring
C_2	10 mm	Connection width with snap ring

Temperature range

T_{min}	-30 °C	Operating temperature min.
T_{max}	120 °C	Operating temperature max.